

KUKEN'S ULTIMATE SOLUTION FOR DEW PROBLEM

NO MORE DEW DROPS

ND

NON DEW DIFFUSER

NO NEED FOR ELECTRICAL WIRING

NO RUNNING COST

NO STAIN, NO DIRT

COMES WITH A TRANSPARENT COVER

NO MORE HASSLE WITH DEW DROPS

- ND-VTL
- ND-KL
- ND-VHS

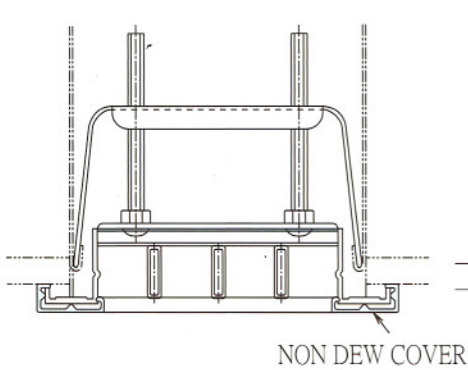
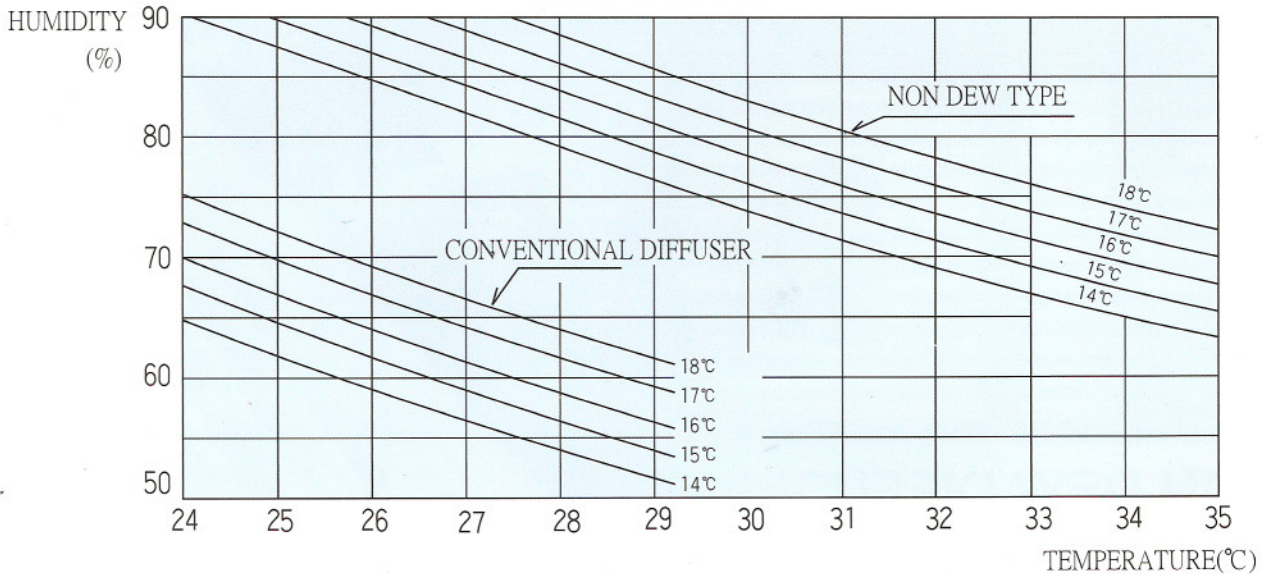


○ CONVENTIONAL DIFFUSER

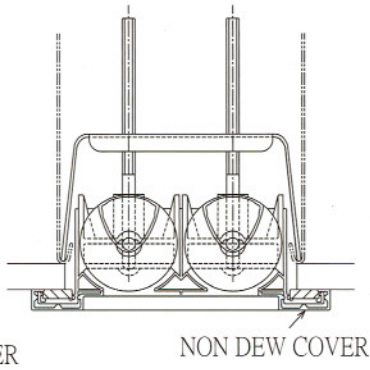


● NON DEW DIFFUSER

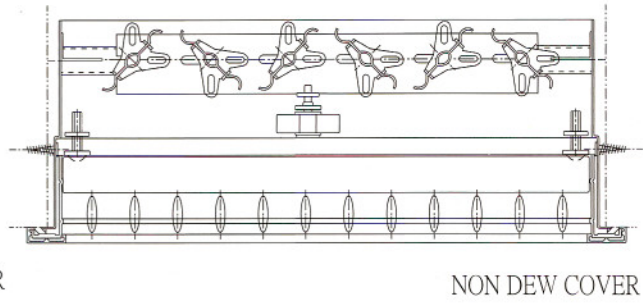
DEW LIMIT CURVE



ND-KL



ND-VTL



ND-VHS

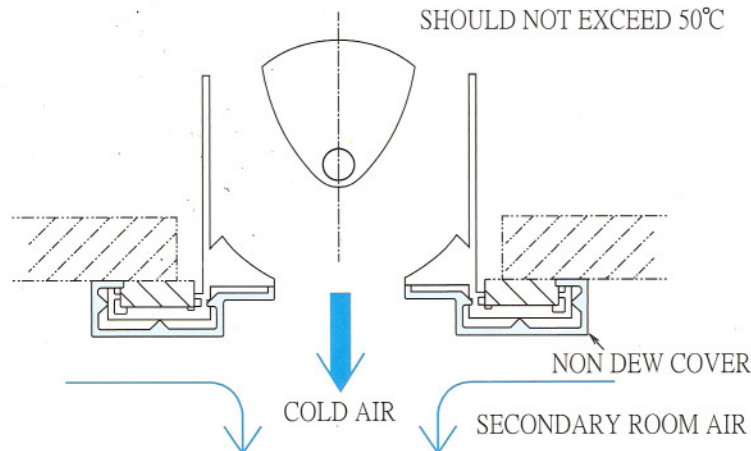
FEATURING

1. NO SPECIAL HEATER , NO ELECTRICAL WIRING REQUIRED. HENCE NO RUNNING COST REQUIRED.
2. DETACHABLE NON DEW COVER.
3. NO DIRT, NO STAIN.
4. COMES WITH A TRANSPARENT COVER.

- AIR IS ENCAPSULATED IN BETWEEN NON DEW COVER AND FRME. IN THIS WAY, DEWING CAN BE PREVENTED BASED ON THE FACT THAT LOW TEMPERATURE FROM THE COLD AIR IS NOT TRANSMITTED TO NON DEW COVER WHICH IS EXPOSED TO AMBIENT AIR.

● ND-VTL1

AIR OUTLET TEMPERATURE SHOULD NOT EXCEED 50°C



KUKEN KOGYO CO.,LTD

2-39, OHORI KOEN, CHUO-KU
FUKUOKA, 810, JAPAN
TEL: (092)741-5361
FAX: (092)715-0891

SOLE DISTRIBUTOR:

PT. LARASATI SARANA PERDANA

Komplek Ruko Permata Kota Blok E No. 22
Jl. P. Tubagus Angke no. 170, Jakarta 14450 Indonesia
Telp. (62-21) 6667 1534 -36; Fax. (62-21) 6667 1537
E-mail : kuken_lsp@cbn.net.id